

SPECIFICATION

USB DVBT Receiver

Features

- USB 2.0 DVB-T Receiver
- Power supply directly from USB port
- Support DVB-T specification (ETS 300 744)
- View DVB-T programs with desktop PC or Notebook
- Real time DVB-T program recording, support MPEG 2 specification
- Preset time recording
- Time Shifting
- Channels auto scan (6/7/8 MHz)
- Support EPG
- Schedule Record in PC Power-Off Mode

SPCIFICATIONS

Parameter		Value (typ)	Units
RF frequency range	VHF Hi	174 to 250	MHz
	UHF	474 to 858	MHz
RF signal range		-20 to -82	dBm
Co-channel analogue interference		-3.5	dB
N+/-1 adjacent channel protection		>30	dB
N+/-2 to X non-adjacent channel protection		>38	dB
Image channel protection		30	dB
Power consumption - operational		1.3	W
Power consumption - PC power-off Mode		0.73	W

Note: 64QAM, 2/3 code rate, 1/8 guard band, 8 k mode, BW 6MHz

ANT Input SMA Connector Input - 75 Ohm (UHF/VHF) TV Antenna

SYSTEM REQUIREMENTS

Minimum Hardware Requirements:

Processor with MMX/SIMD/3DNow! Instruction set (1GHz)

128 Mbytes of RAM

500 Mbytes of free disk space on your hard drive.

Display card with overlay support (64MB RAM)

Minimum Software Requirements

Windows 2000 with service pack 4 or Windows XP with service pack 2

DirectX 9.0a or above.

Installing DTV Player.

Microsoft Windows 2000/XP

SPECIFICATION

USB DVBT Receiver

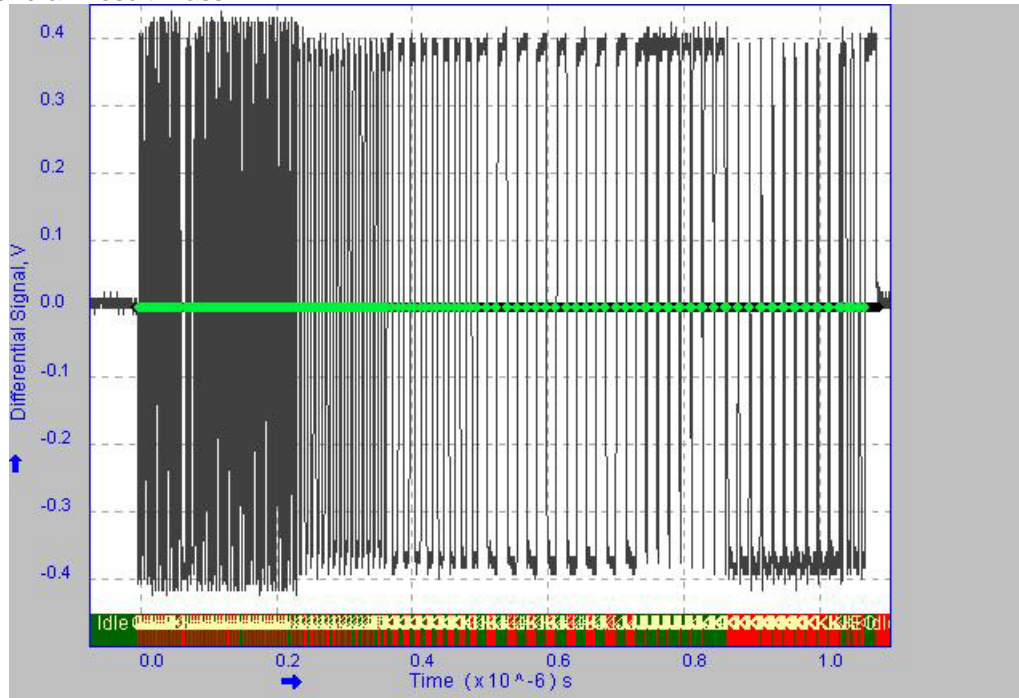
USB IF Transmitting Characteristics Test Report (For Reference Only)

Signal Quality Test Results in Tek format

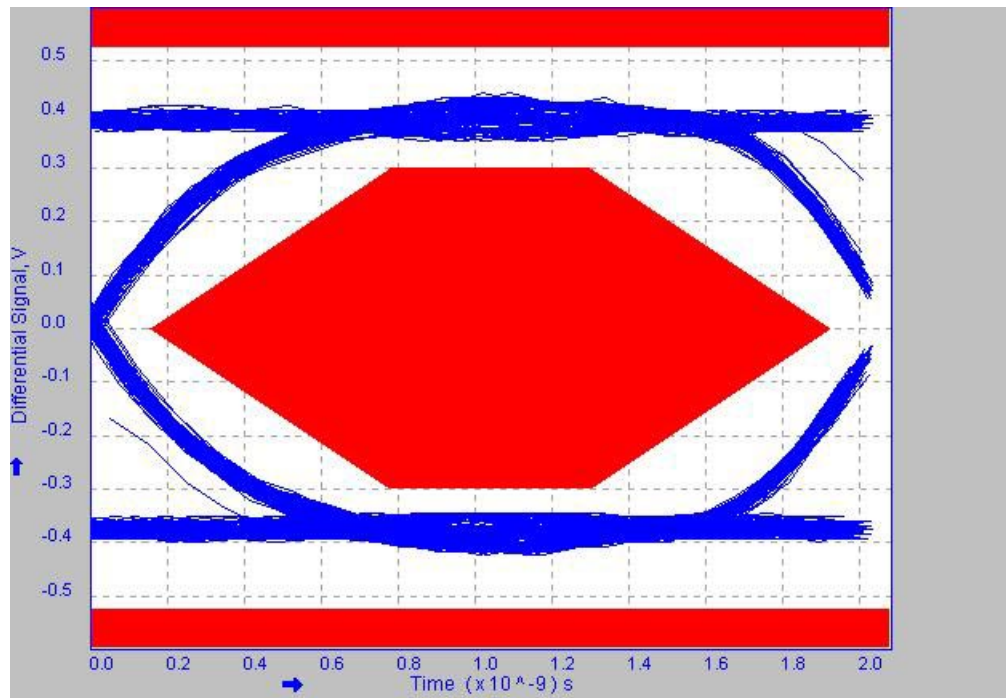
Device ID: fsfe_001

Device Description: High Speed, Near End Device, Up Stream Testing, Tier 6, Dummy Device.

Overall Result: Pass*



Waveform Plot



Eye Diagram

SPECIFICATION

USB DVBT Receiver

Results based on USB-IF / Waiver Limits :

Measurement Name	Minimum	Maximum	Mean	pk-pk	Standard Deviation	RMS	Population	Status
Monotonic Property	-	-	-	-	-	-	0	Pass
Eye Diagram Test	-	-	-	-	-	-	0	Pass
Signal Rate	466.4076M bps	490.6542M bps	479.9011M bps	0.0000 bps	5.193253M bps	480.0118M bps	513	Pass
EOP Width	-	-	16.63494ns	-	-	-	1	Pass
EOP Width (Bits)	-	-	7.872128	-	-	-	1	Pass
Rise Time	776.7762ps	943.7862ps	848.5811ps	167.0100ps	40.30595ps	849.5289ps	107	Pass
Fall Time	749.7471ps	928.3900ps	833.8607ps	178.6430ps	39.69237ps	834.7961ps	107	PASS

Monotonicity test is performed on the test limits of 15.0% and 85.0%.

Additional Information :

Consecutive Jitter range : -35.97ps to 55.12ps RMS Jitter 18.53ps

KJ Paired Jitter range : -30.43ps to 28.56ps RMS Jitter 11.63ps

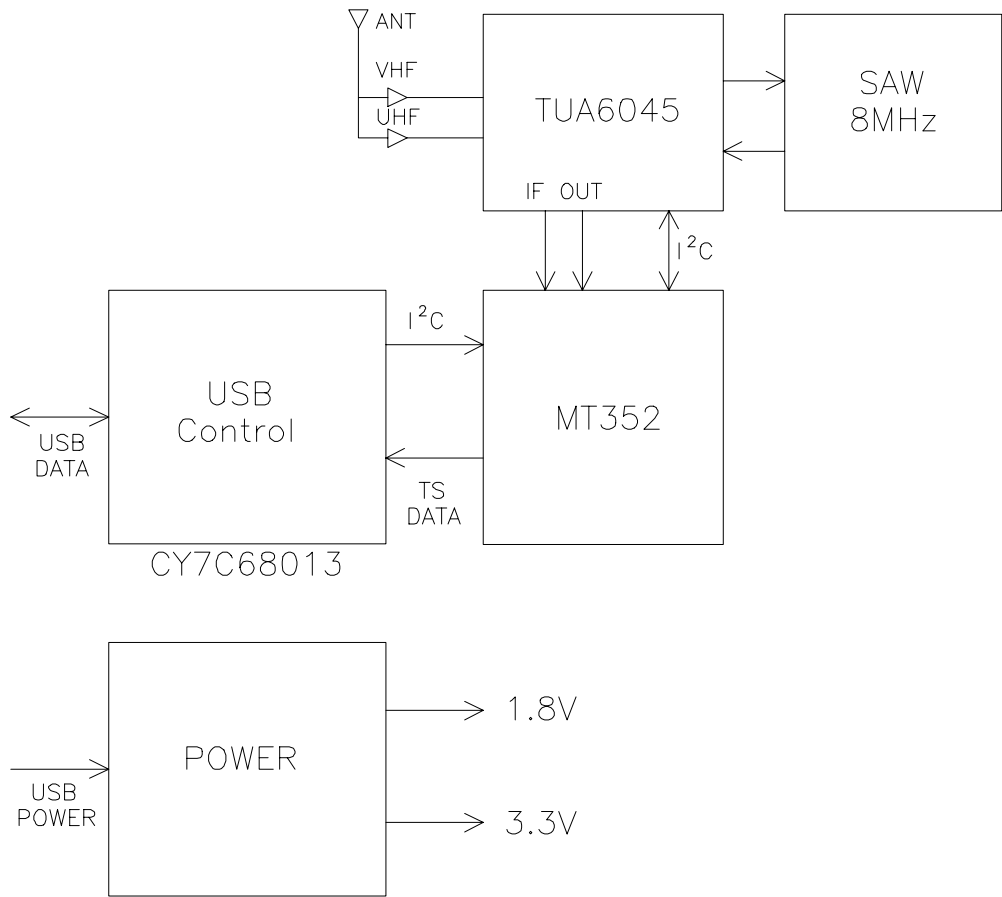
JK Paired Jitter range : -29.18ps to 27.24ps RMS Jitter 10.99ps

*The Overall Result for this test is Pass, because one or more individual status of the measurements is Pass.

For this test, the recommended configuration for USB2 testing (as per USB-IF) is on Tier 1.

SPECIFICATION

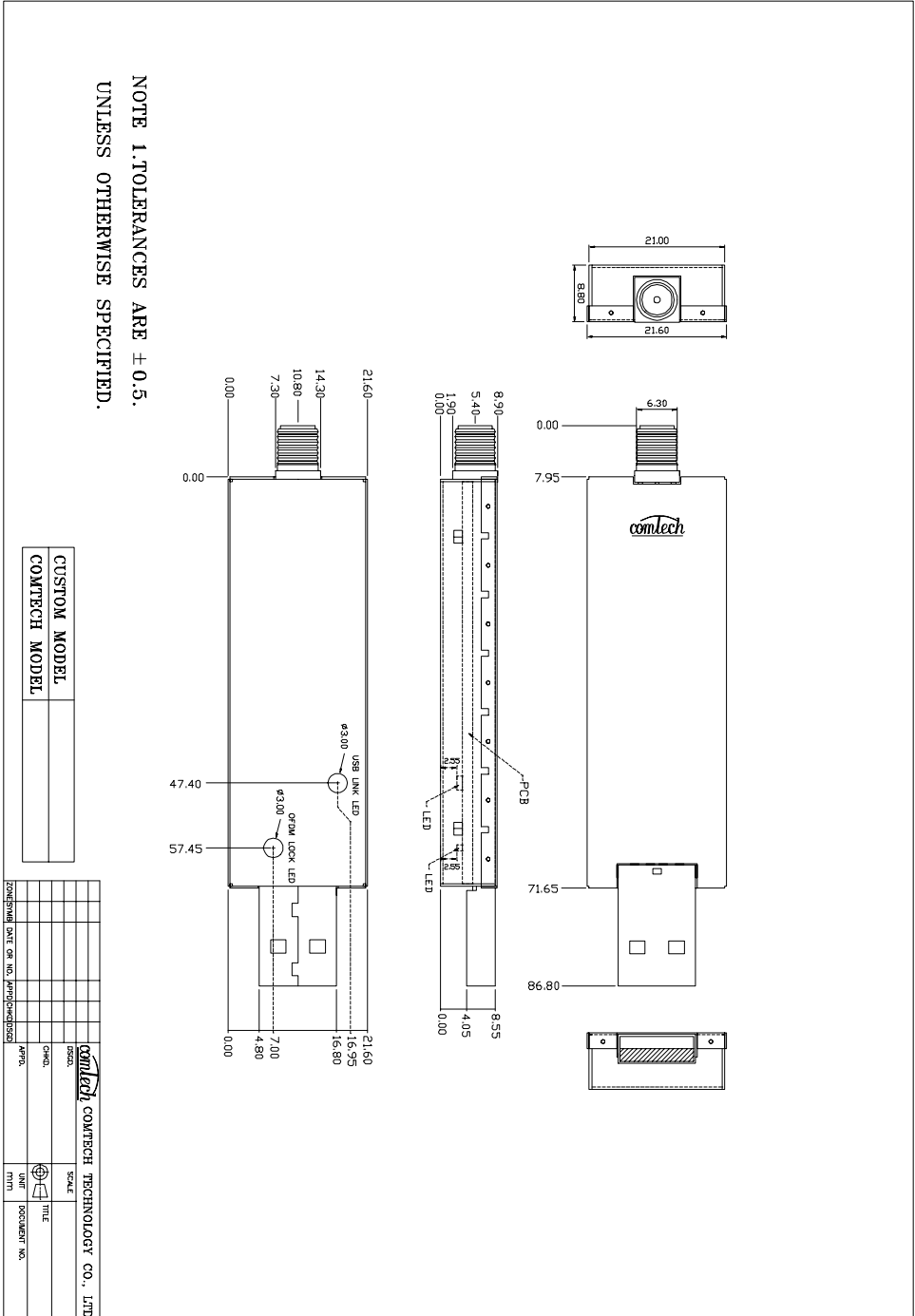
USB DVBT Receiver



USB DVB-T Diagram

SPECIFICATION

USB DVBT Receiver



NOTE 1. TOLERANCES ARE ± 0.5 .
UNLESS OTHERWISE SPECIFIED.

CUSTOM MODEL	
COMTECH MODEL	

COMTECH TECHNOLOGY CO., LTD		SCALE	
		TITLE	
DESIGN		DATE	
CHECK		APPROV.	
UNIT	mm	DOCUMENT NO.	
ZONE/STANDARD DATE OR NO. APPROVED/ISSUED			

SPECIFICATION

USB DVBT Receiver

